

User Manual Of Weatherproof Telephone JWAT306-307



Table of Contents

1. Overview.....	1
2. Product Structure Characteristics.....	1
3. Technical Parameters.....	2
4. Product Dimensions and Installation.....	2
5. How to Use.....	4
6. Transportation and storage requirements.....	5
7. Unpacking and inspection.....	5
8. Attention.....	5
9. Safety warnings.....	5
10. After sales.....	5
11. Basic Troubleshooting.....	6

1. Overview

JWAT306-307 waterproof telephone product is a high-tech product that used for tunnel,subway, highway, power plant, petrol station, terminal, steel company which have special requirements for moisture, fire, dust, and frost. It is a high-tech product that combines the actual needs of high-moisture and high-noise places. It is an indispensable and extremely ideal industrial communication product which is widely used in humid, dusty, corrosive and strong noise places.

1.1 Product Features

1.1.1 The JWAT306-307 waterproof telephone case is made of aluminum alloy die-casting, which has good impact strength and protection performance. The surface high temperature powder is not electromagnetically sprayed to prevent static electricity. Full keyboard input, you can not only directly enter the number of the other party to make a call, you can also set a shortcut key to speed dial. After high and low temperature testing, screening, procurement and production, the circuit has undergone strict waterproof treatment and protective treatment, which has further improved the environmental adaptability of the machine. The phone uses an anti-noise handle to make calls clearer in high-noise environments.

1.2 Application

1.2.1 This Weatherproof Telephone Is Very Popular For subways, highways, power plants, petrol stations, docks, steel companies and other environments that have special requirements for moisture, fire, noise, dust and frost.

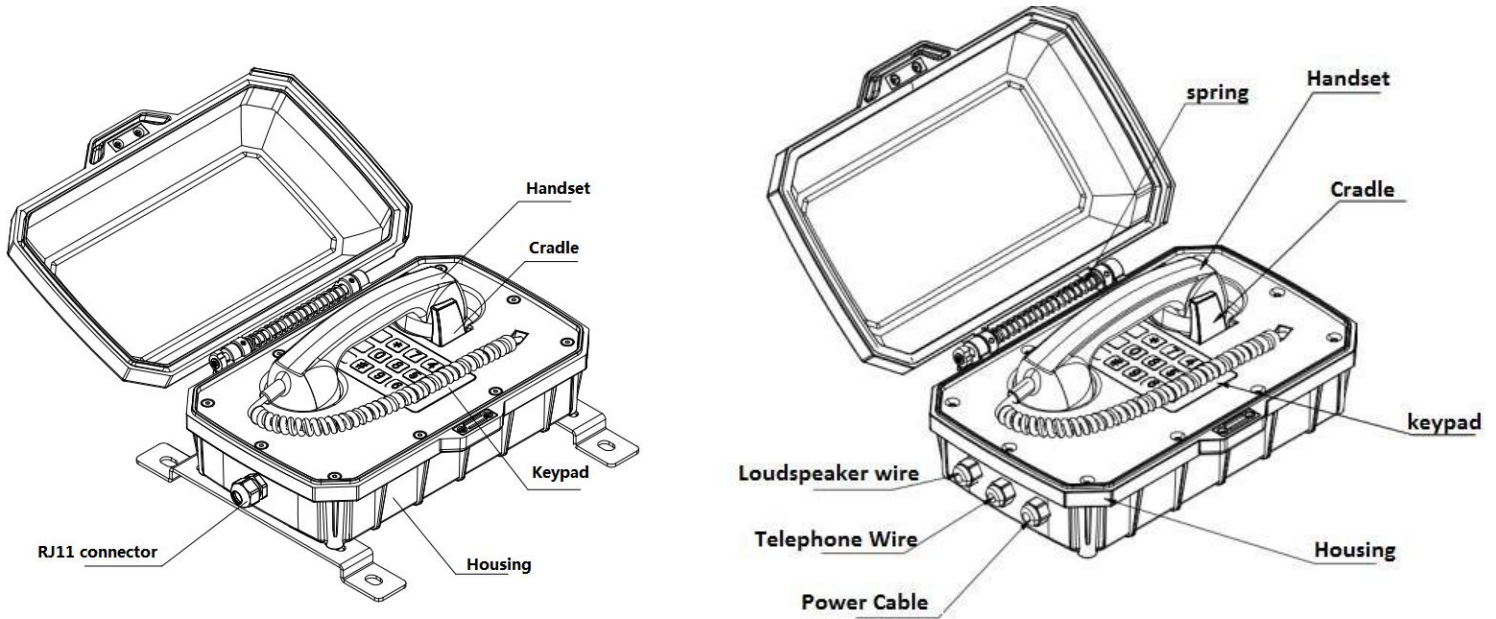
1.2.2 Ambient Temperature: $-40^{\circ}\text{F} \sim +140^{\circ}\text{F}$

1.2.3 Relative Humidity: $\leq 95\%$ (room temperature)

1.2.4 Atmospheric Pressure: $80 \sim 110\text{KPa}$

2. Product Structure Characteristics

2.1 The weatherproof telephone consists of two parts: the housing (including die-cast aluminum shell, stainless steel keyboard, die-cast zinc hanging fork, PC handle) and the double-sided integrated circuit motherboard.

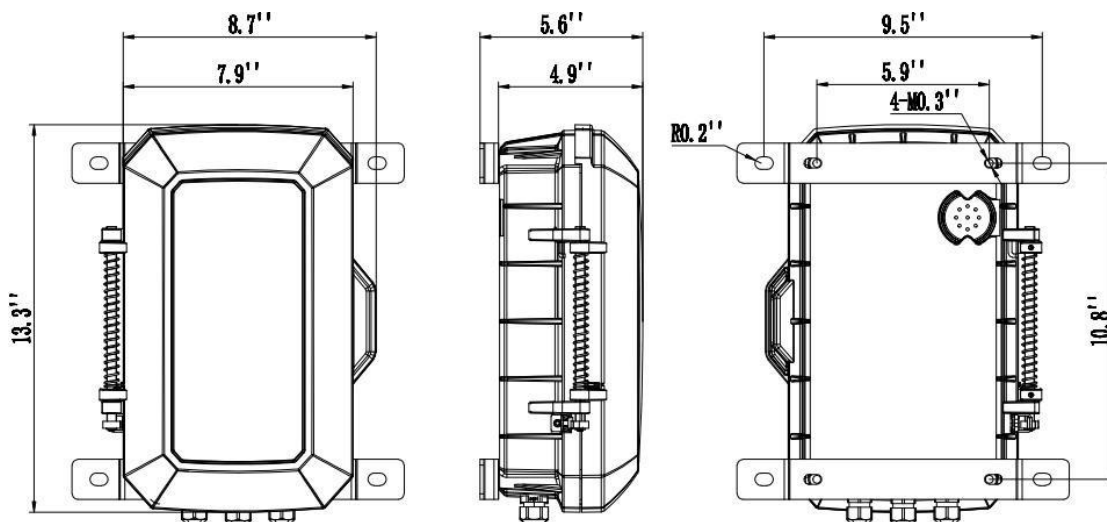


3. Technical Parameters

- 3.1 Power supply: Telephone line powered.
- 3.2 Network communication protocol: Analogue.
- 3.3 Frequency response: 300 ~ 3400Hz
- 3.4 Protection level: IP66
- 3.5 Specification: 13.3" * 8.7" * 5.6"
- 3.6 Installation: Wall-mounted
- 3.7 3.7 Net weight: 17 LBS

4. Product Dimensions and Installation

4.1 product dimensions

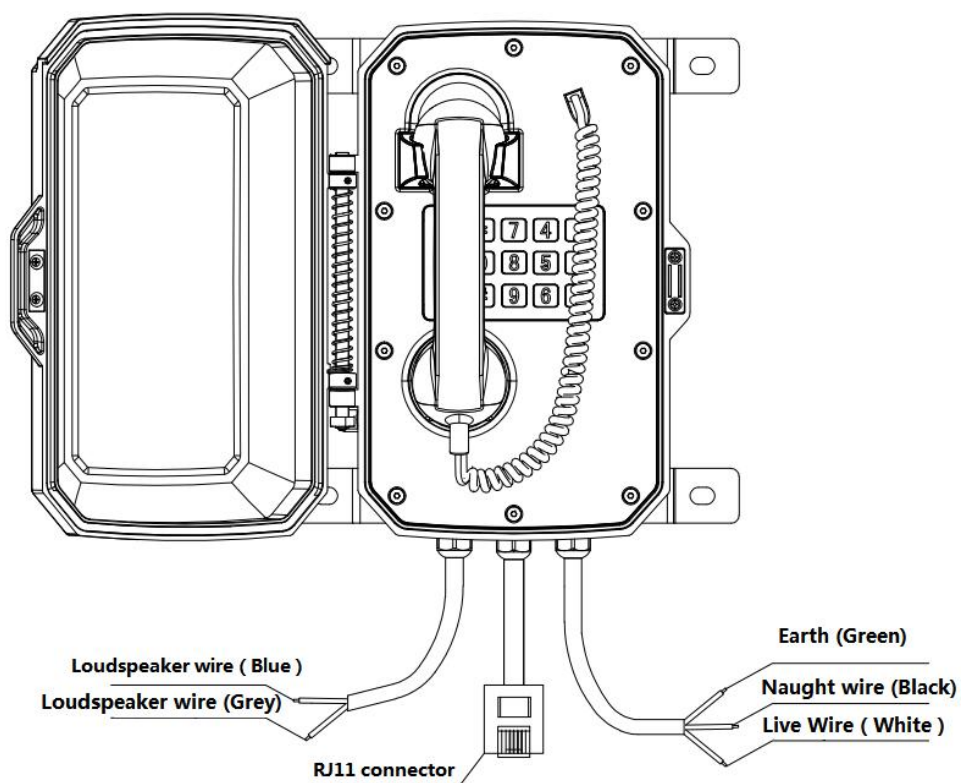


4.2 Installation:

1. Lock the mounting bracket with the delivered M8 screws to the back of the cabinet. The screws must be tightened, and the direction of the bracket cannot be reversed, as shown in Figure above.
2. Measure the holes of the bracket at the installation position, and then fix the phone with the expansion screws to the place to be installed. Pay attention to the level when punching, otherwise the cover will open and close automatically after installation. Easy to pinch when using.

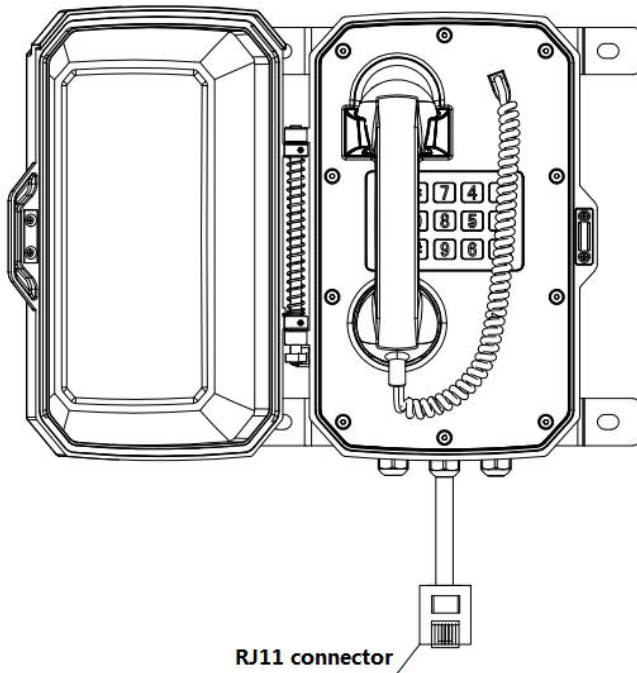
4.3 Telephone wiring: (JWAT307)

1. Loudspeaker wire connection: the speaker wire UL2464 4*18AWG is connected to the two wires of the waterproof speaker through the terminal block in the waterproof junction box. The speaker wire does not distinguish the wire sequence and color. Please note that there should be no exposed copper wires during the wiring, and the terminal The screw must be locked tightly and not locked to the insulated wire.
2. Signal line connection: The RJ11 crystal plug has been suppressed when the telephone line leaves the factory. You can use the adapter to connect in the junction box, or cut off the crystal plug and connect it to the system telephone line directly in the junction box through the terminal. Note, use when connecting There are two wires in the middle of the telephone line, and the two wires on both sides are not connected to the phone. Don't connect them wrongly to prevent the phone from not working.
3. Power cord connection: The power cord adopts UL2464 3*18AWG cable, the green wire is the Earth wire, which must be effectively grounded during installation, and the Black is Naught wire, the white is Live Wire, which is connected to the AC220V AC power supply through the terminal block in the waterproof junction box. Pay attention to the wiring There should be no exposed copper wires, and the terminal screws should be locked tightly and not locked to the insulated wire.



4.4 Telephone wiring: (JWAT306)

1. Signal line connection: The RJ11 crystal plug has been suppressed when the telephone line leaves the factory. You can use the adapter to connect in the junction box, or cut off the crystal plug and connect it directly in the junction box with the system telephone line through the terminal. Note that the phone line is used when connecting. The two wires in the middle and the two wires on both sides are not connected to the phone. Don't connect them wrongly to prevent the phone from not working.



5. How to Use

5.1 How to use JWAT306, JWAT307:

The telephone is connected to a host system, and the number of the phone is determined according to the rules and lines of the host system, and the actual allocation shall prevail.

5.1.1 How to make a call

The caller goes off-hook, Type the number keys directly on the keyboard and dial the desired number.

Redial: After normal dialing, go off-hook once and type the R key on the keyboard, last dialed number will be dialed out.

Urgent call: in cooperation with the dispatcher, you can dial an emergency number with one touch.

Hang up: Press the hang up button to enter the FLASH mode, you can dial a third party phone.

5.1.2 How to answer a call:

JWAT307: When there is an incoming call, the phone rings, and the PA is automatically turned on. After three rings, it is automatically connected (the number of ringing times can be set). Automatically hang up after busy tone, not occupying the channel and not affecting the next incoming call

JWAT306: The buzzer rings when there is an incoming call, and it stops ringing after going off-hook. Use the

handset to talk to the other party normally. After the call ends, hang up the handset.

6. Transportation and storage requirements

6.1 During transportation, the product is not allowed to be subjected to severe mechanical shock or direct sunlight and rain, to prevent falling, collision, and heavy pressure. The maximum height of the outer box stack should not exceed 5 layers.

6.2 The product should be stored in a dry, clean, well-ventilated environment at ambient temperature (0-40 ° C), in a non-corrosive medium warehouse, away from fire and heat sources.

7. Unpacking and inspection

7.1 Check that the instruction manual and accessories in the box are complete.

7.2 The appearance of the product shall be checked and the marking shall be complete.

8. Attention

8.1 Please read this manual before use to understand the product performance and use methods, so as to avoid accidents and damage to the product due to mis-operation.

8.2 The product should be checked carefully before use to ensure that it is installed and used without damage by external forces.

8.3 The product should be stored in a cool, clean and dry environment.

8.4 During the construction process, the product must be operated strictly in accordance with the wiring requirements of the product. Strong and weak currents must be routed separately to avoid affecting the performance of the product, making the product unstable, poor call sound quality, and reducing product life.

9. Safety warnings

9.1 Do not install or repair under power.

9.2 Do not repair in the danger area when the phone fails.

9.3 Cruel hitting the product is strictly prohibited.

9.4 Avoid strong vibrations, shocks and water splashes.

9.5 When the product is overhauled, do not change the specifications and models of circuit components , otherwise the performance will be destroyed

10. After sales

The Warranty of Joiwo' s products is 2 years. Within 2 years since the products are shipped, if there is any quality issue or technical requirements, we will take care of all the trouble shooting and send the spare parts or complete product as required for replacements at our charge.

11. Basic Troubleshooting:

Failure phenomenon	Troubleshooting method	Approach
No effect on keyboard, no sound on handset	Check if the telephone line is connected to the motherboard. Use a multimeter to measure whether the voltage at both ends is 48V.	Reconnect the unconnected phone line
Some keys on the keyboard have no effect	Check if the cable between keyboard and motherboard is loose	Plug the keyboard cable back into the motherboard and plug it into place
sound from handset	Check if the connecting cable between the handle and the motherboard is loose	Plug the handle wire back into the motherboard and plug it into place
No sound from PA	<ol style="list-style-type: none"> 1. Check whether the 220V power supply is supplying power or the line is not connected well. 2. Check if the cable between the phone and the speaker is well connected 3. Check if the speaker is damaged 	<ol style="list-style-type: none"> 1. Handle the missed line and provide 220V power to the phone. 2. Reconnect the line between the phone and the speaker 3. Replace the speaker

